



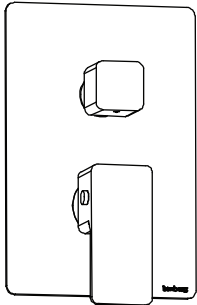
196.4302 | 3/4" Thermostatic Valve With 3-Way Diverter & Integrated Volume Control & Trim

SPECIFICATIONS:

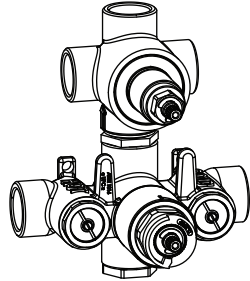
- Turn bottom handle to control temperature.
- Turn top handle to divert water & control volume.
- Includes Thermostatic valve (TVH.4301) w/ service stops
- Thermostatic Valve Flow Rate - 13.0 GPM @ 60 PSI

FAST SHIP FINISHES :

- Chrome - 196.4302CP, Brushed Nickel - 196.4302BN



Trim
[196.4302T**]



Valve
[TVH.4301]

! A separate volume control is **not** needed to turn water supply off. Volume control functionality is integrated within this valve.

CALGreen Compliant



Belgian Mirror Finish



Legislation Compliance

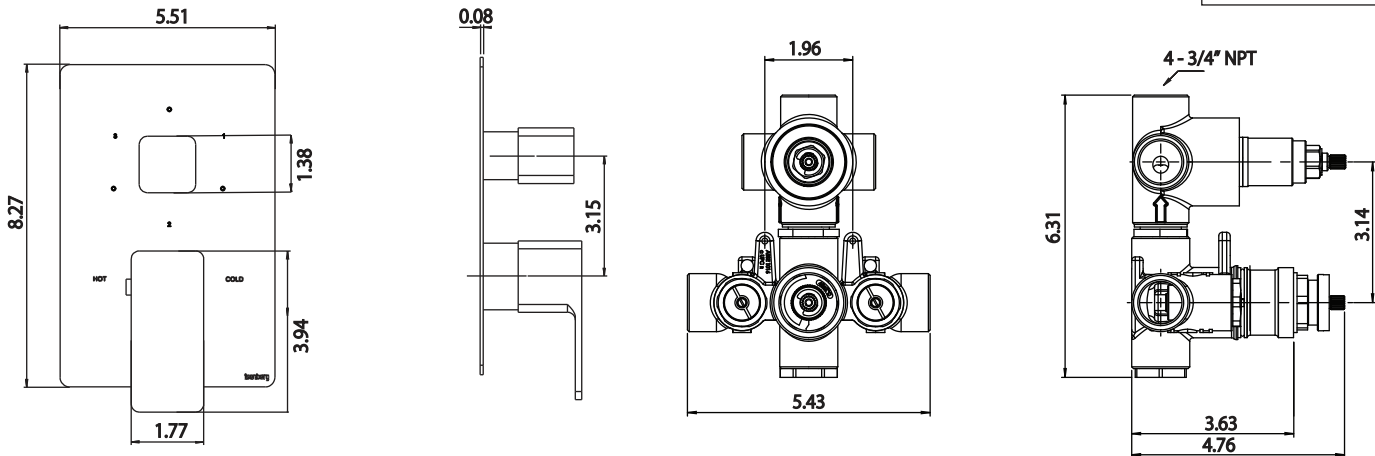


ZeroDrip Technology

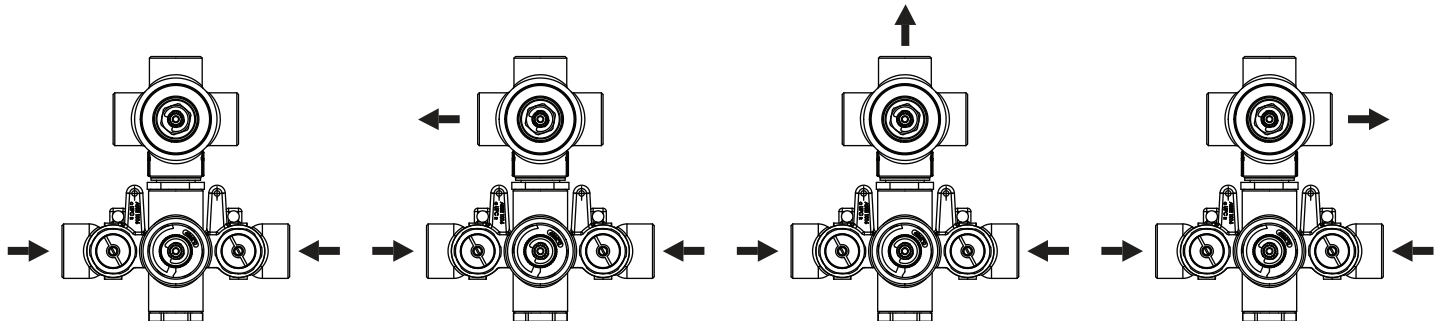


Technical Diagram

See Spec Sheet For TVH.4301 For Detailed Information On Valve.



Water Diversion Diagram



Diverter Position = 'o'

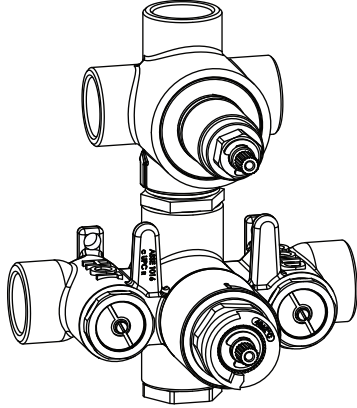
Diverter Position = 1

Diverter Position = 2

Diverter Position = 3



TVH.4301 | 3/4" Thermostatic Valve With 3-Way Diverter & Integrated Volume Control Page 1 of 2



SPECIFICATIONS:

- Turn bottom knob to control temperature.
- Turn top knob to control water flow.
- Thermostatic Valve Flow Rate - 13.0 GPM @ 60 PSI

STANDARDS:

- ASME A112.18.1 / CSA B125.1

! A separate volume control is **not** needed to turn water supply off. Volume control functionality is integrated within this valve.

CALGreen Compliant



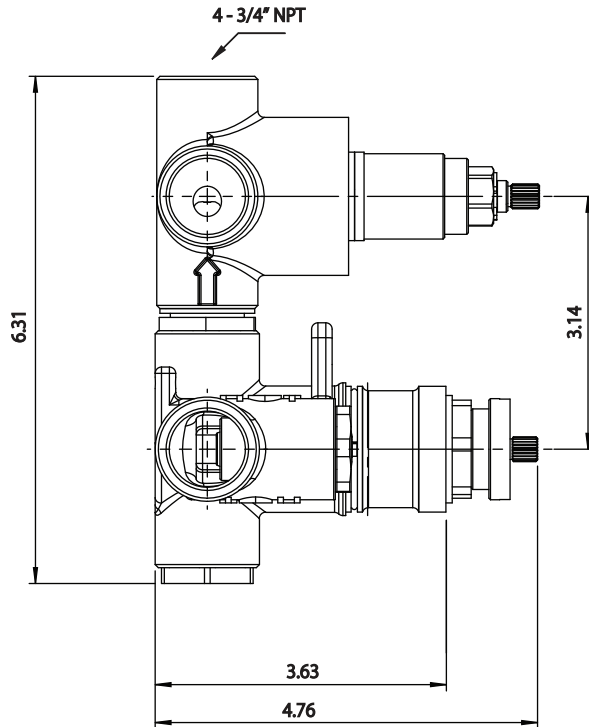
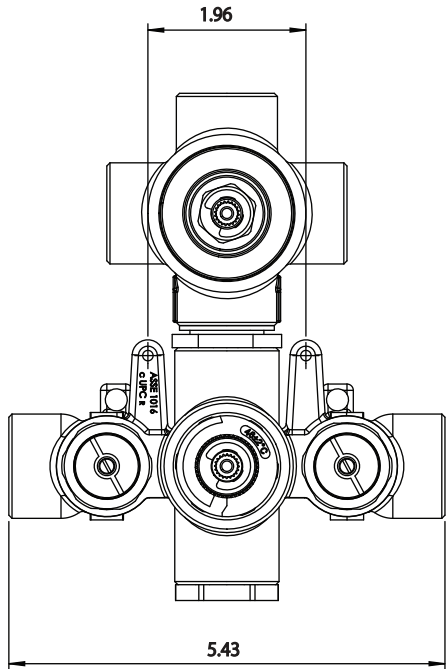
Legislation Compliance



ZeroDrip Technology



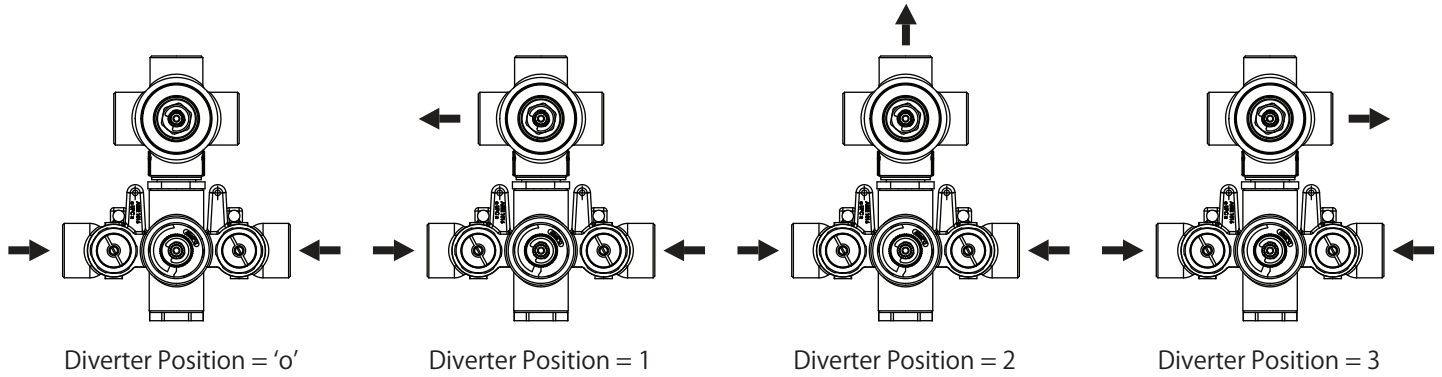
Technical Diagram



TVH.4301 | 3/4" Thermostatic Valve With 3-Way Diverter & Integrated
Volume Control Page 2 of 2



Water Diversion Diagram



Extension Kits*

- (a) Thermostatic Handle Extension - TVH.E185CP - Chrome
TVH.EA07BN - Brushed Nickel
- (b) Diverter Handle Extension - TVH.E137

* QTY = 1 of 'a' and 'b' above needed for complete valve extension